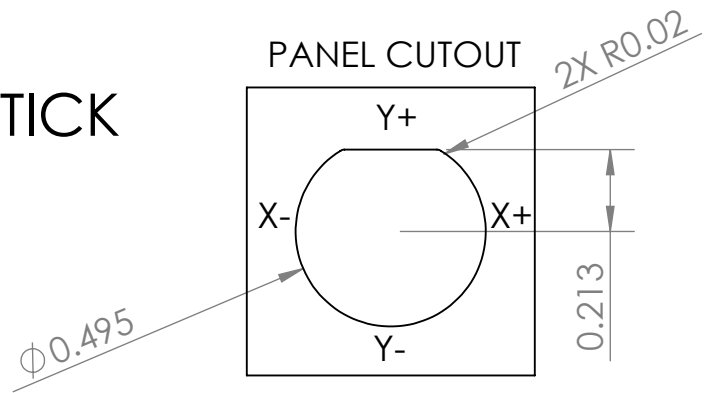
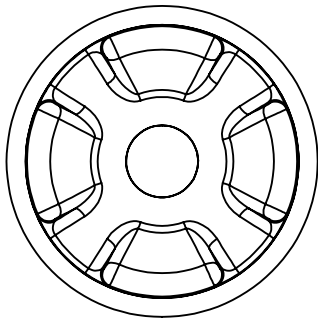


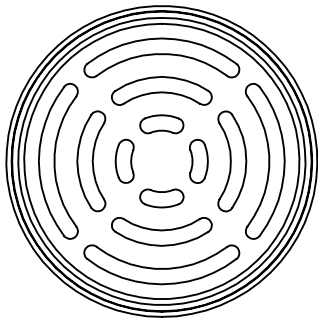
TS2 SERIES
MICRO 2 AXIS THUMBSTICK
SCALE 2:1



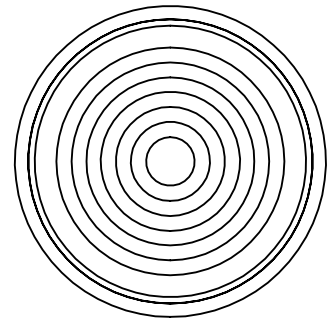
CASTLE,
ELASTOMER



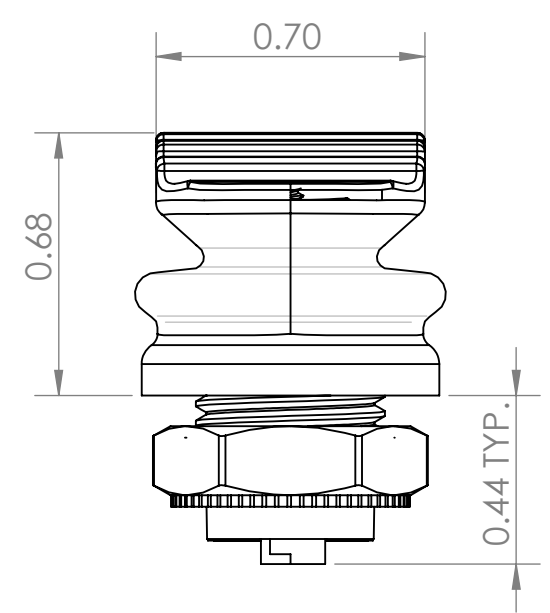
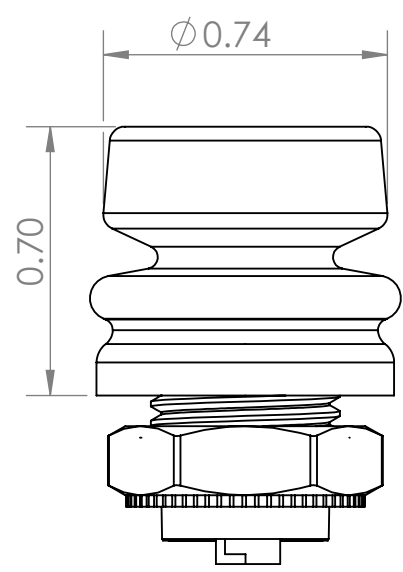
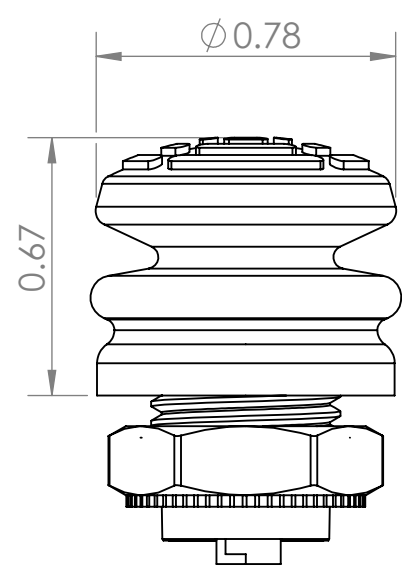
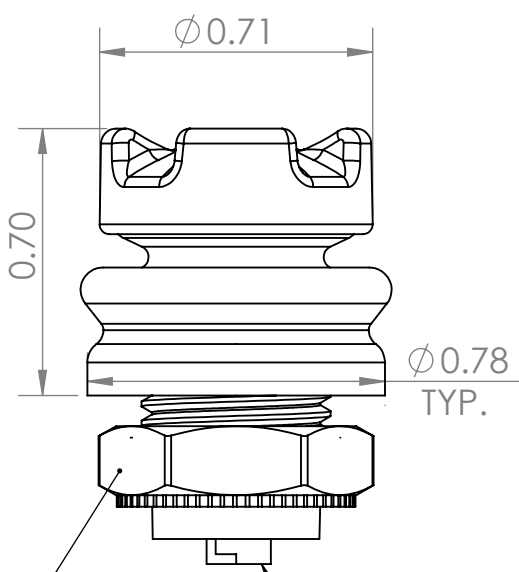
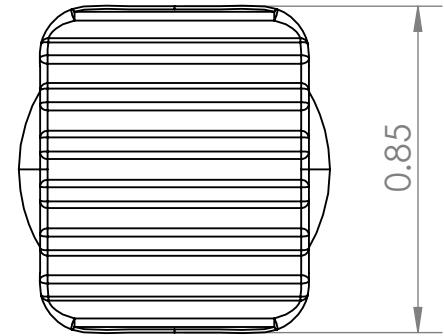
ROUND, CONVEX,
ELASTOMER



ROUND, CONCAVE,
ELASTOMER



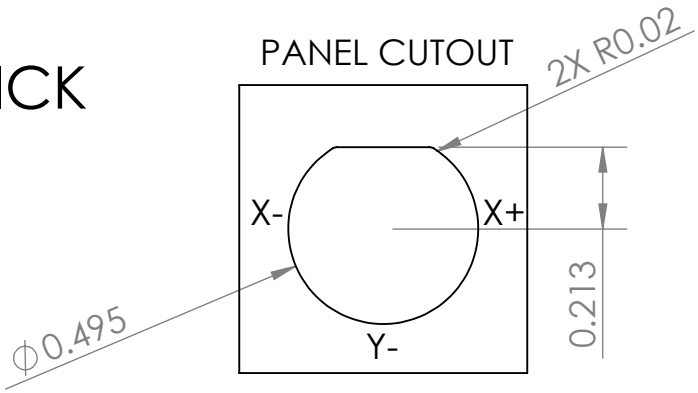
SINGLE AXIS, Y,
ELASTOMER



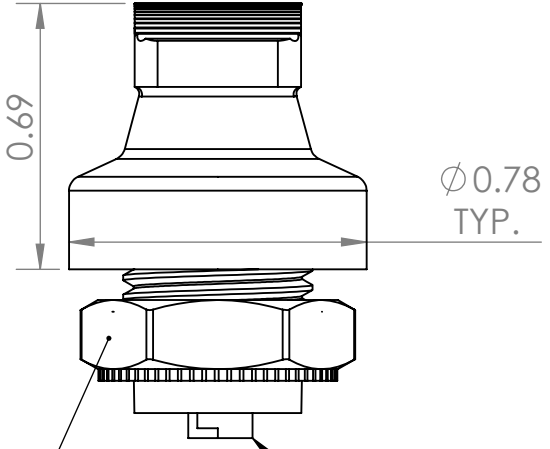
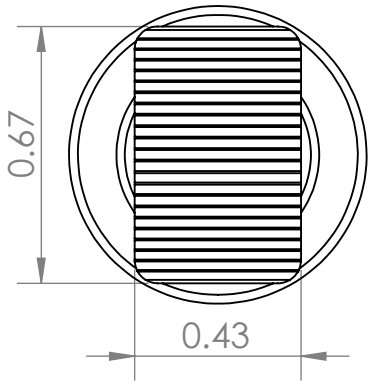
1/2" -20 NUT

4 PIN LATCH LOCK CONNECTOR
(+5V, GND, X OUTPUT, Y OUTPUT)

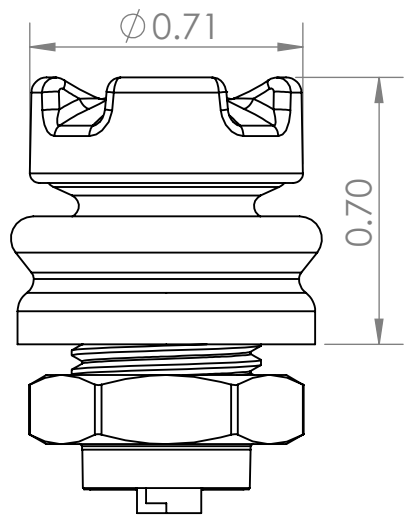
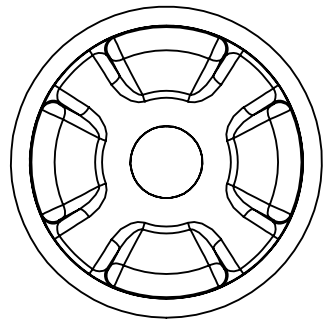
TS2 SERIES
 MICRO 2 AXIS THUMBSTICK
 SCALE 2:1



NARROW, CONVEX,
 ELASTOMER



CASTLE,
 HARD PLASTIC



1/2" -20 NUT 4 PIN LATCH LOCK CONNECTOR
 (+5V, GND, X OUTPUT, Y OUTPUT)