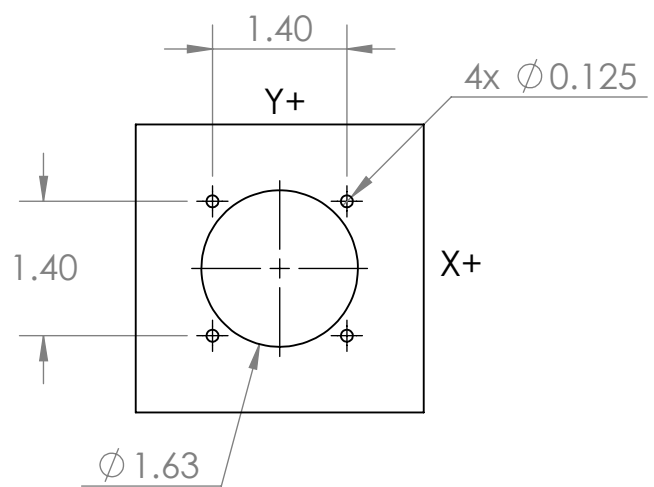
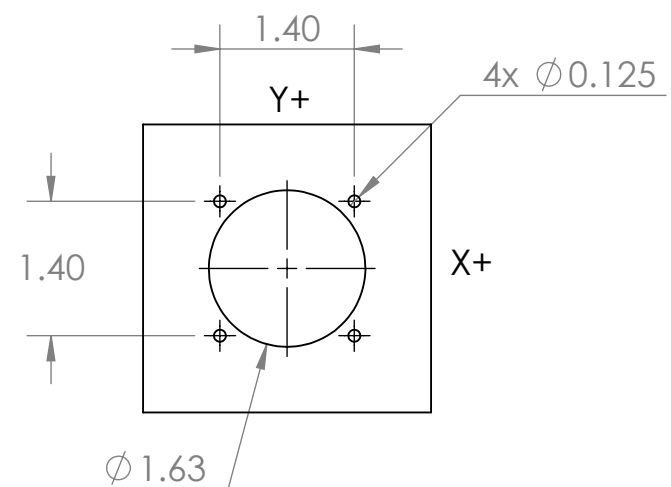


HE2 - MOUNTING OPTIONS

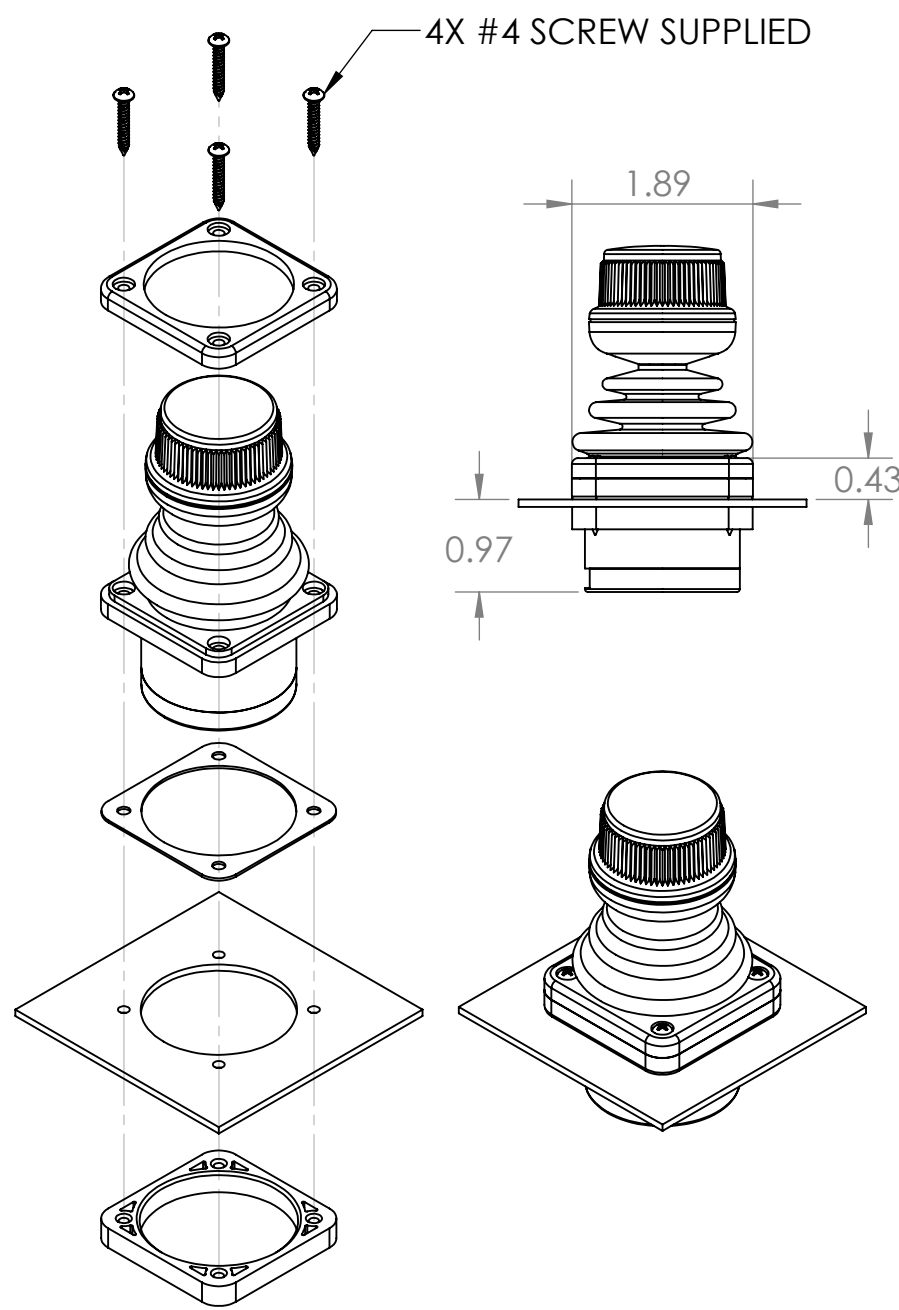
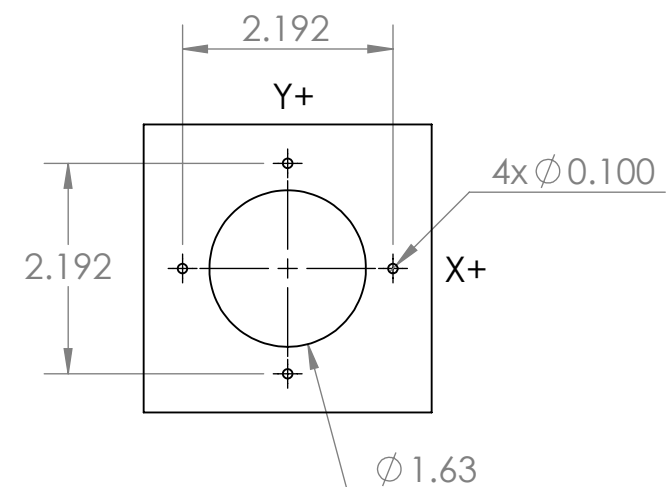
DROP-IN SQUARE PANEL DIMENSIONS



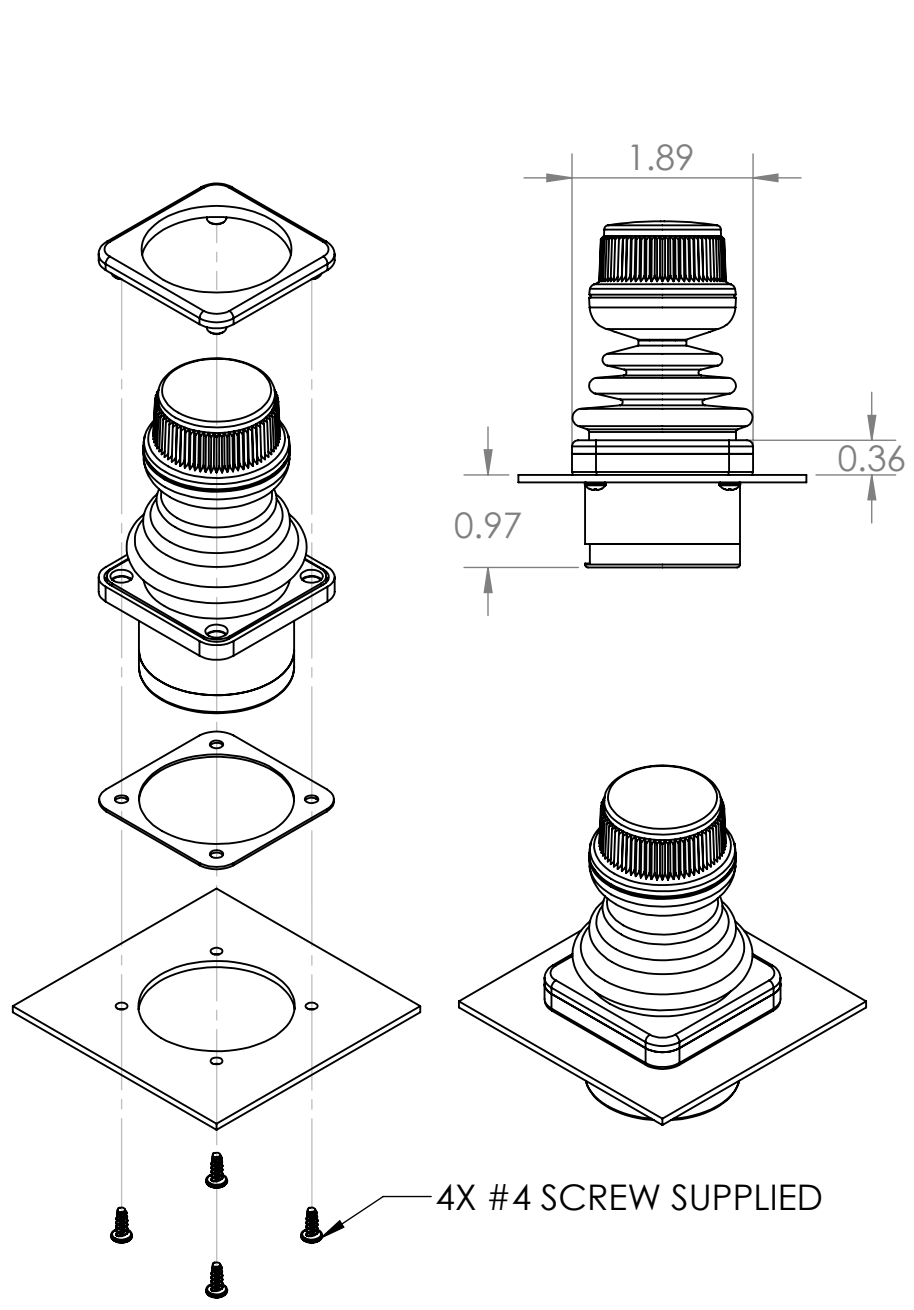
DROP-IN SQUARE PANEL DIMENSIONS (UNDER PANEL SCREWS)



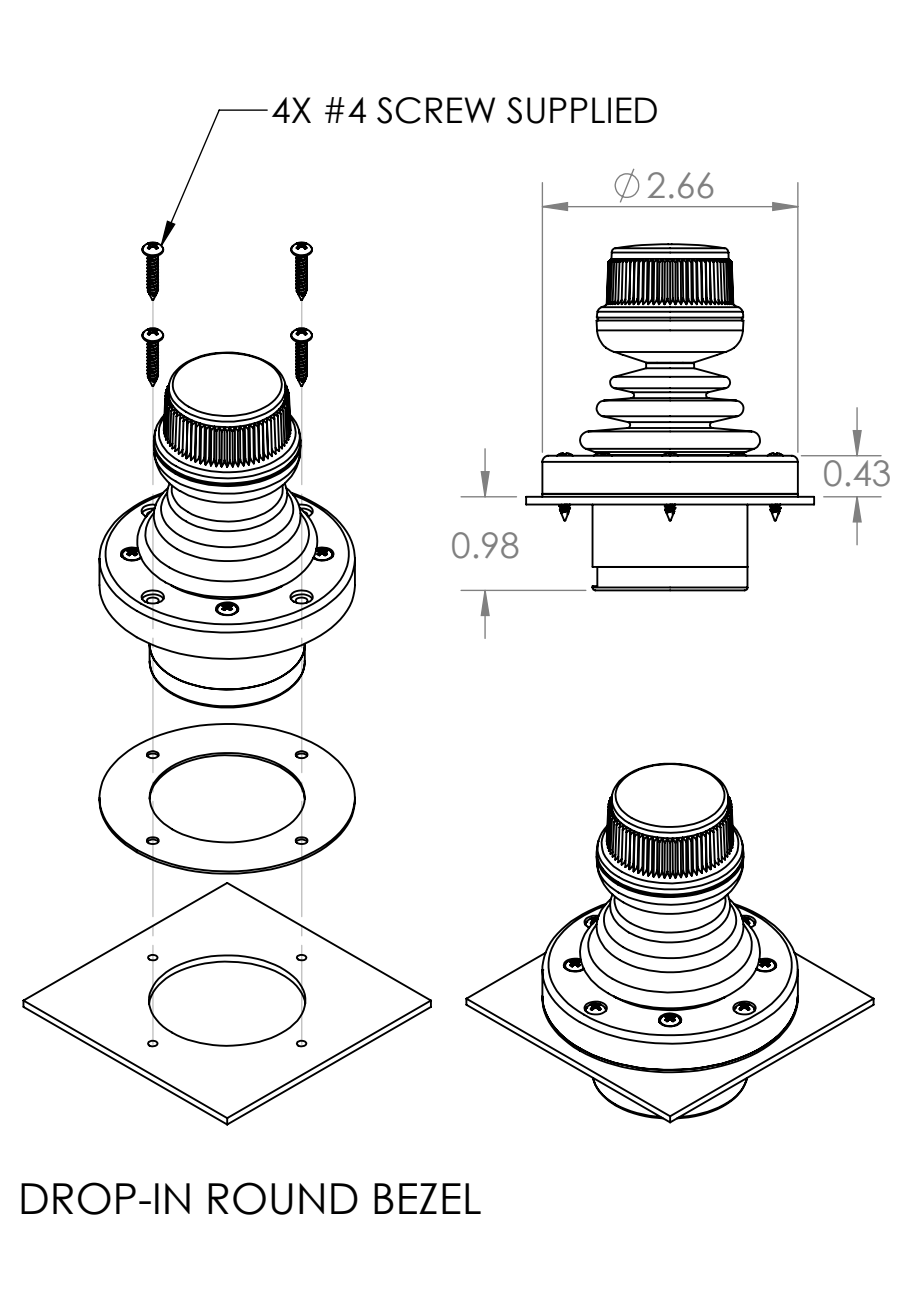
DROP-IN ROUND PANEL DIMENSIONS



DROP-IN STANDARD SQUARE BEZEL



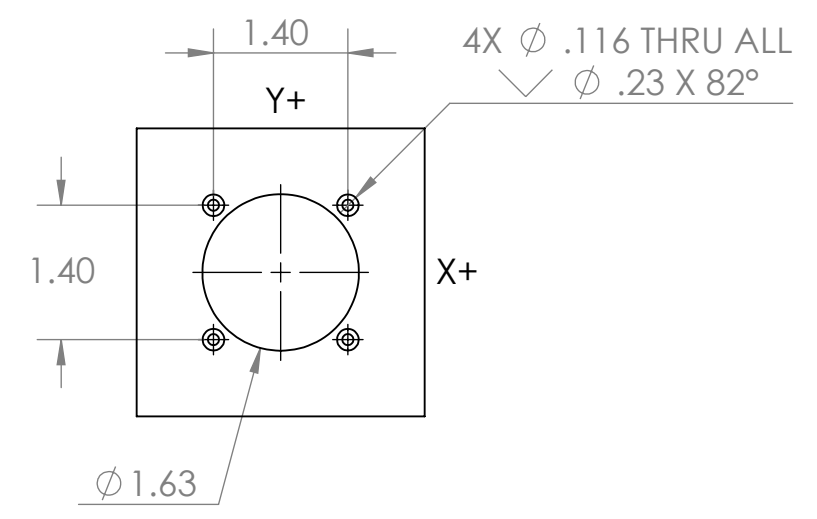
DROP-IN SQUARE BEZEL, UNDER PANEL SCREWS



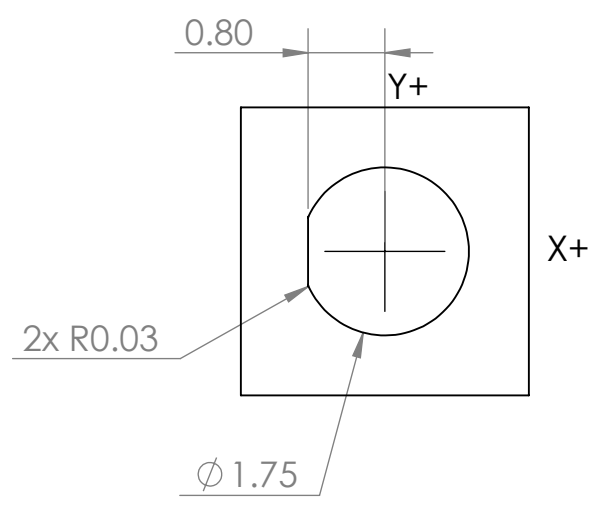
DROP-IN ROUND BEZEL

*HANDLE SHOWN FOR REFERENCE ONLY

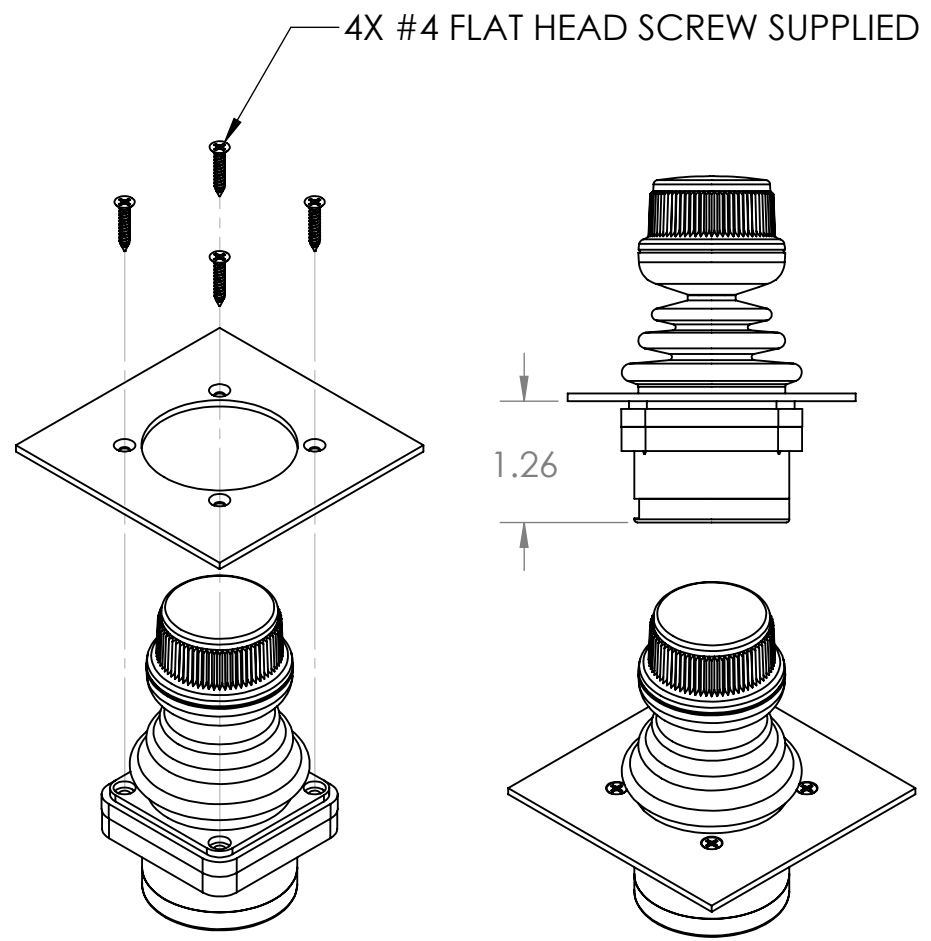
REAR MOUNT PANEL DIMENSIONS



METAL OR PLASTIC THREADED HOUSING PANEL DIMENSIONS

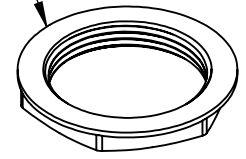


4X #4 FLAT HEAD SCREW SUPPLIED



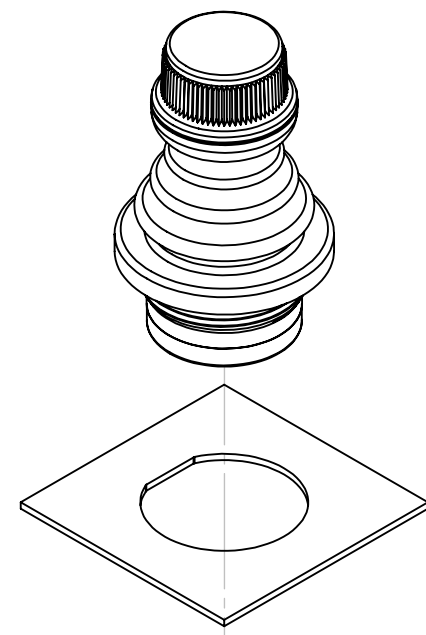
REAR MOUNT

PLASTIC NUT SUPPLIED

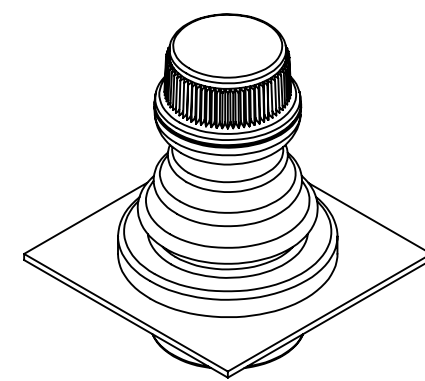
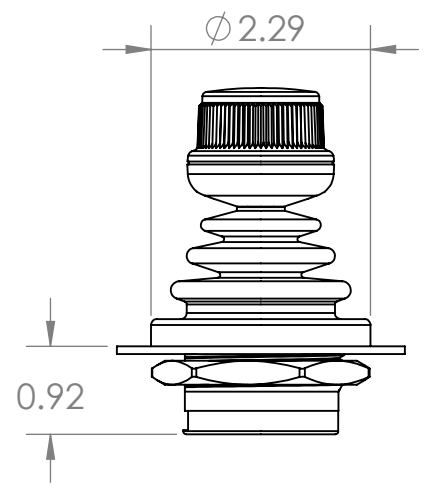


PLASTIC THREADED HOUSING

ALUMINUM NUT SUPPLIED



METAL THREADED HOUSING



*HANDLE SHOWN FOR REFERENCE ONLY