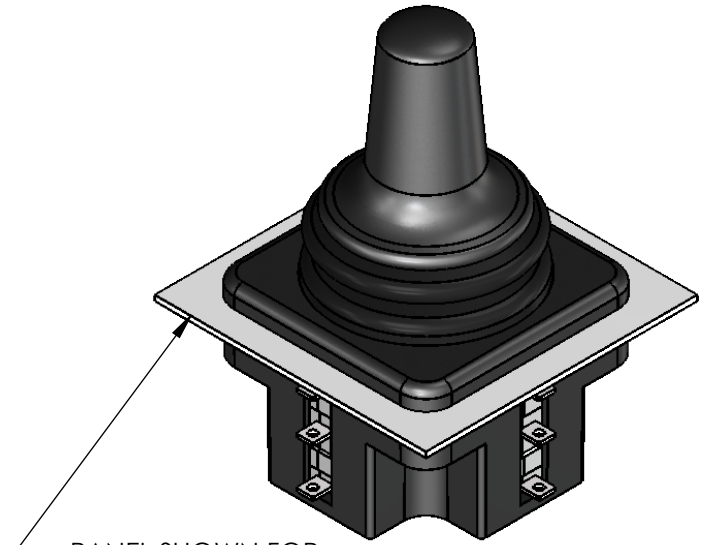
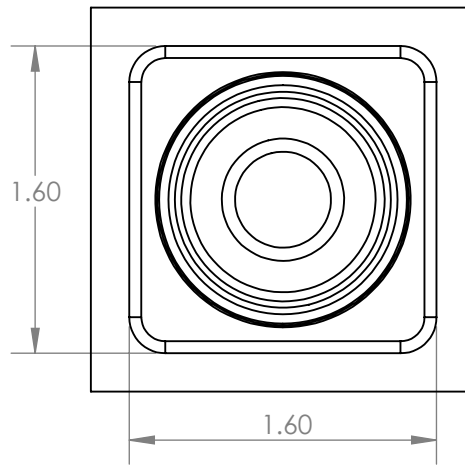
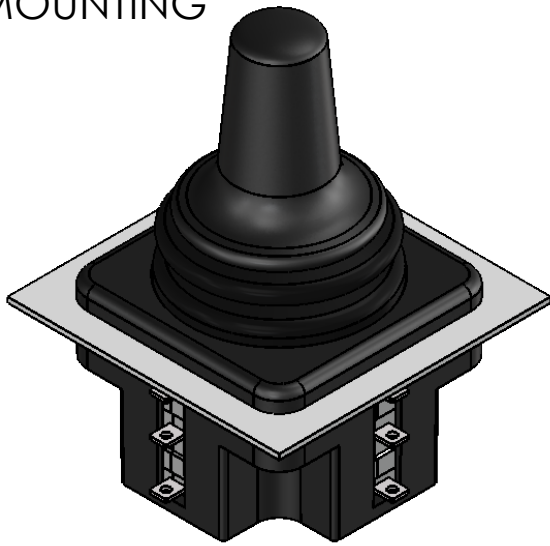
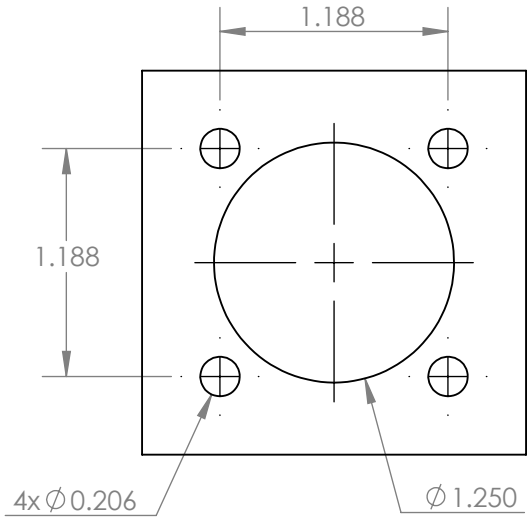


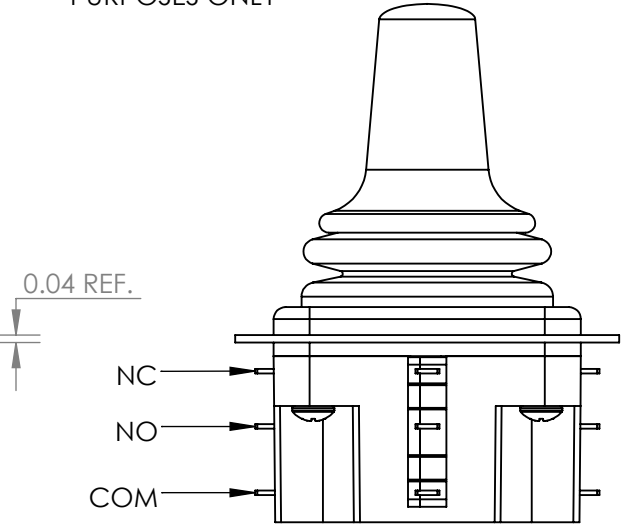
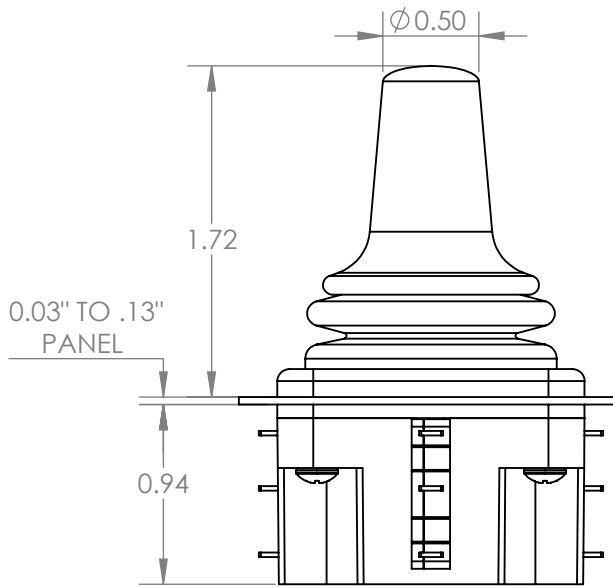
SS2 SERIES - MOUNTING



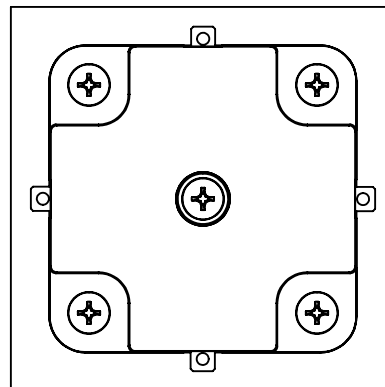
PANEL SHOWN FOR REPRESENTATION PURPOSES ONLY



PANEL DIMENSIONS



*WIRING REFERENCE, ALL SWITCHES



SS2 SERIES - HANDLE OPTIONS