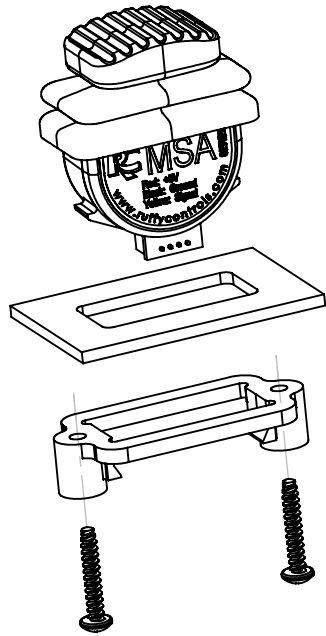
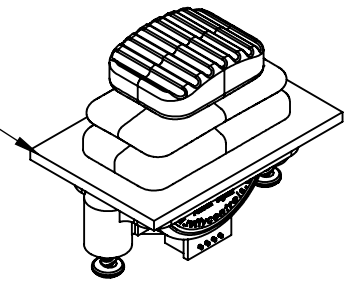


MSA SERIES: PRODUCT & MOUNTING PANEL DIMENSIONS

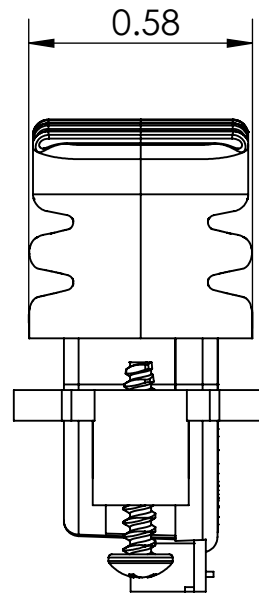
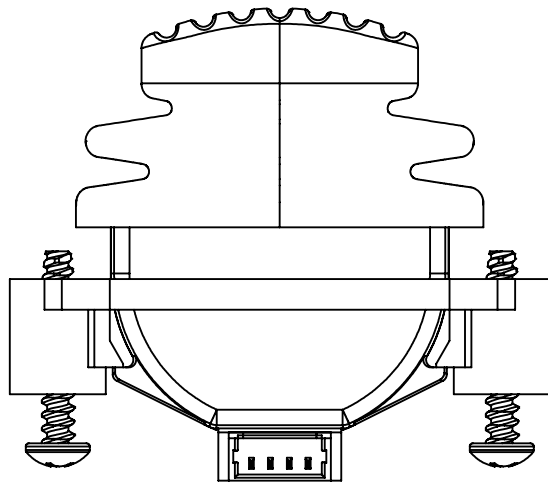
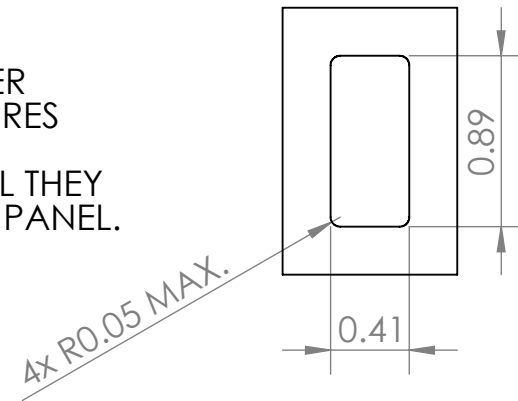
PANEL THICKNESS:
UP TO 0.125"



MOUNTING DIRECTIONS:

1. DROP UNIT INTO PANEL CUTOUT.
2. INSTALL SUPPLIED MOUNTING UNDER PANEL UNTIL THE TWO HOOK FEATURES SNAP INTO PLACE.
3. INSTALL 2 MOUNTING SCREWS UNTIL THEY APPLY ADEQUATE PRESSURE ONTO PANEL.

PANEL CUTOUT DIMENSIONS



SCALE 2:1

