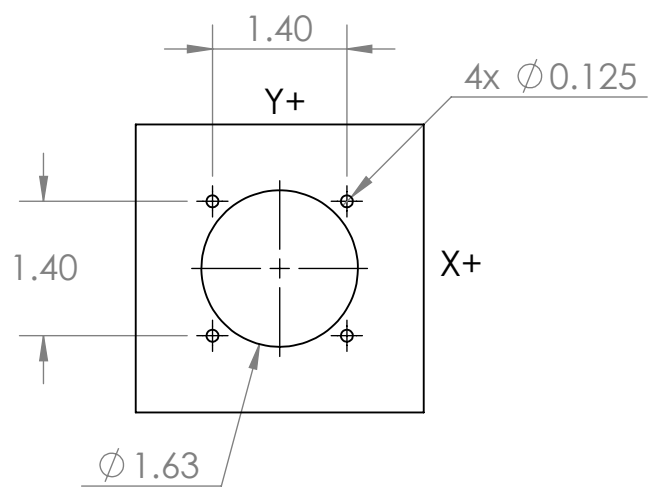
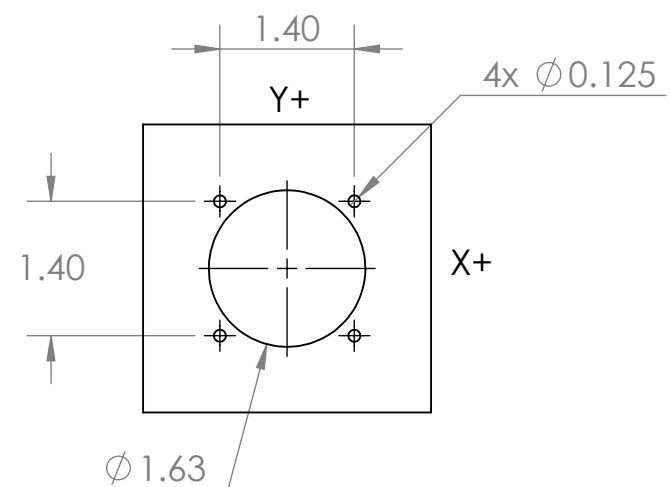


HE1 - MOUNTING OPTIONS

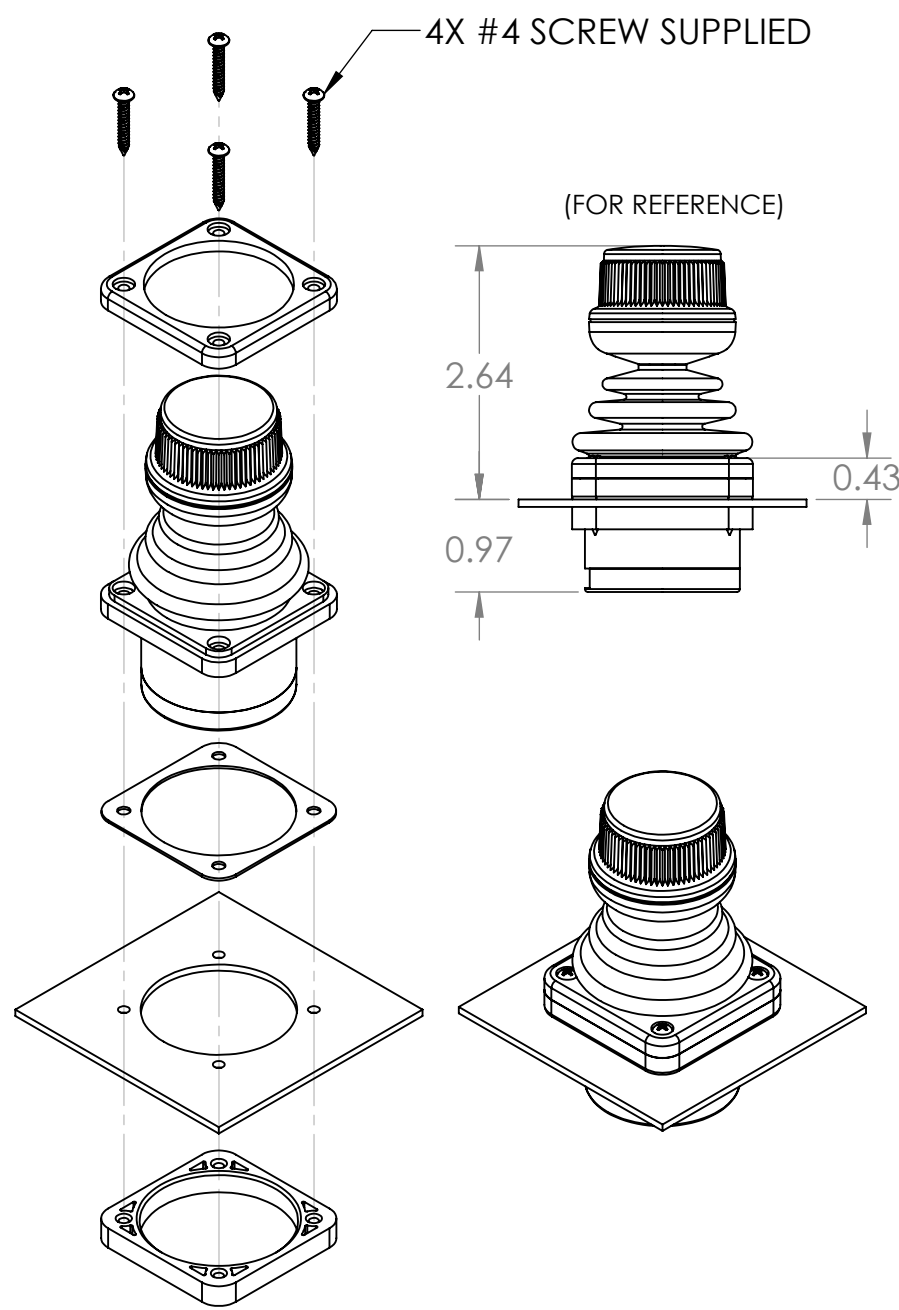
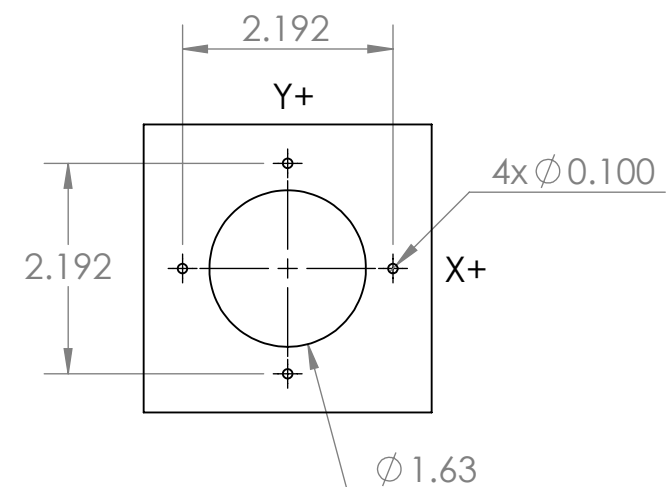
DROP-IN SQUARE PANEL DIMENSIONS



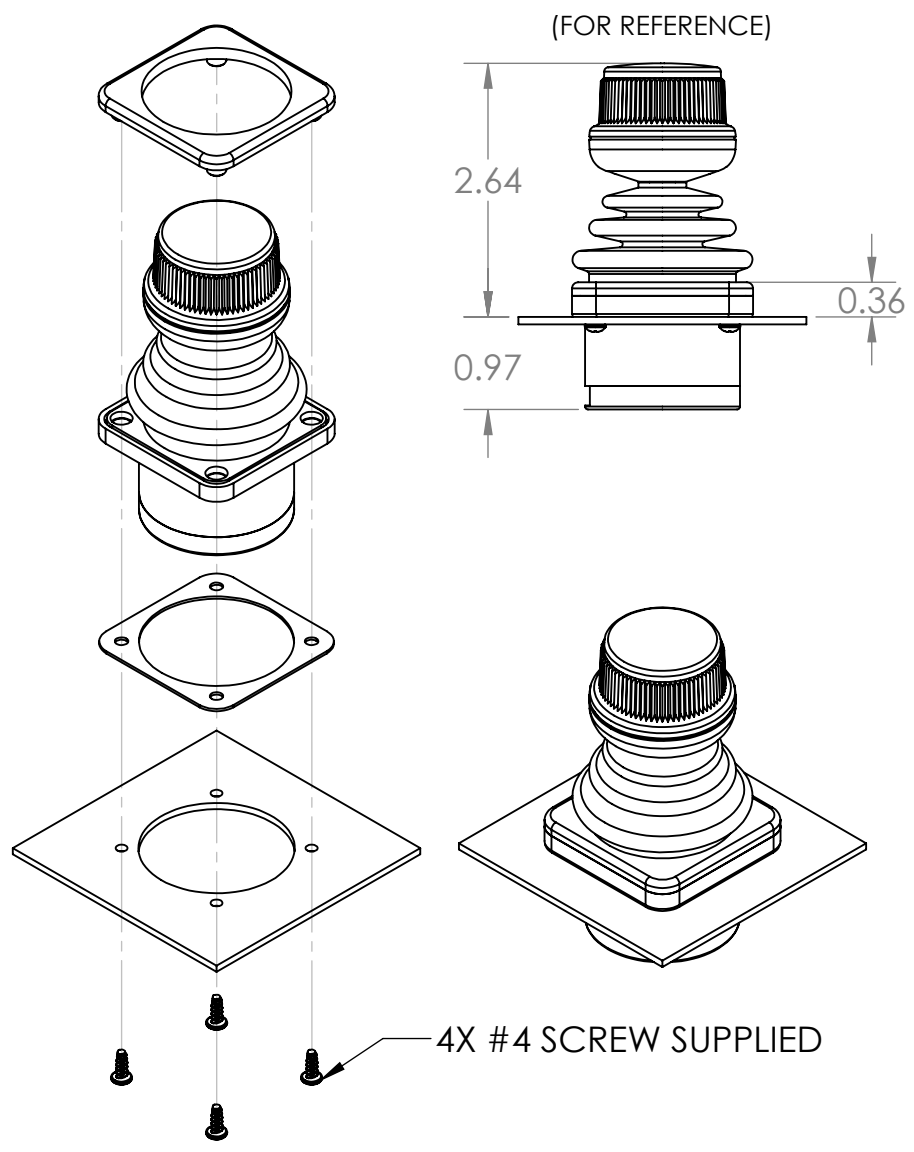
DROP-IN SQUARE PANEL DIMENSIONS



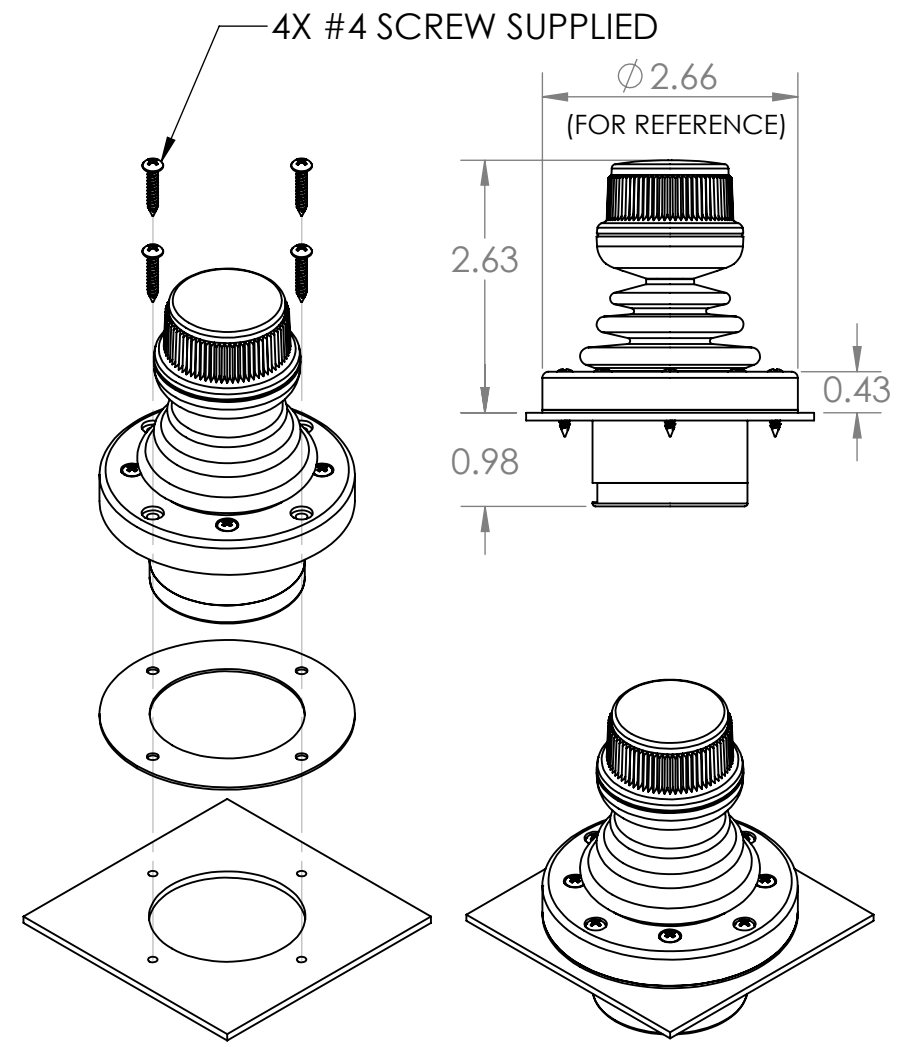
DROP-IN ROUND PANEL DIMENSIONS



DROP-IN STANDARD SQUARE BEZEL

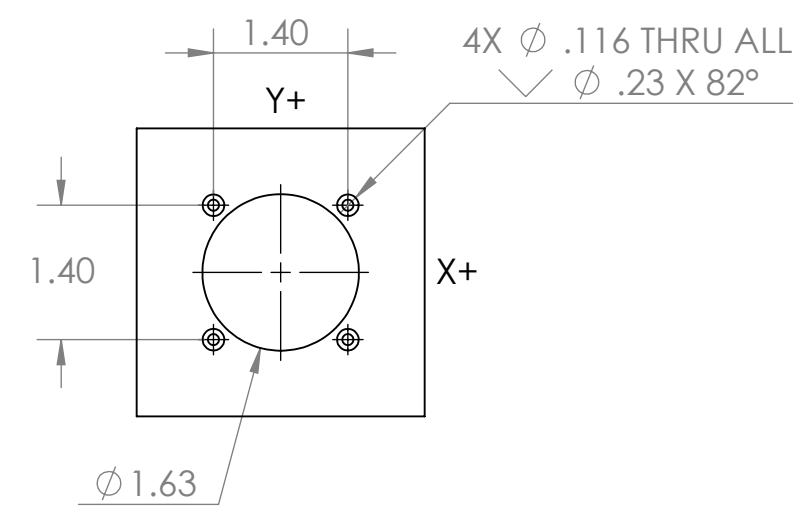


DROP-IN SQUARE BEZEL, UNDER PANEL SCREWS

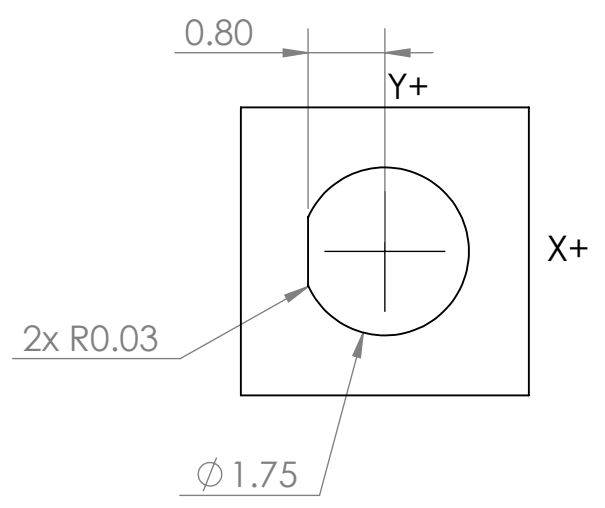


DROP-IN ROUND BEZEL

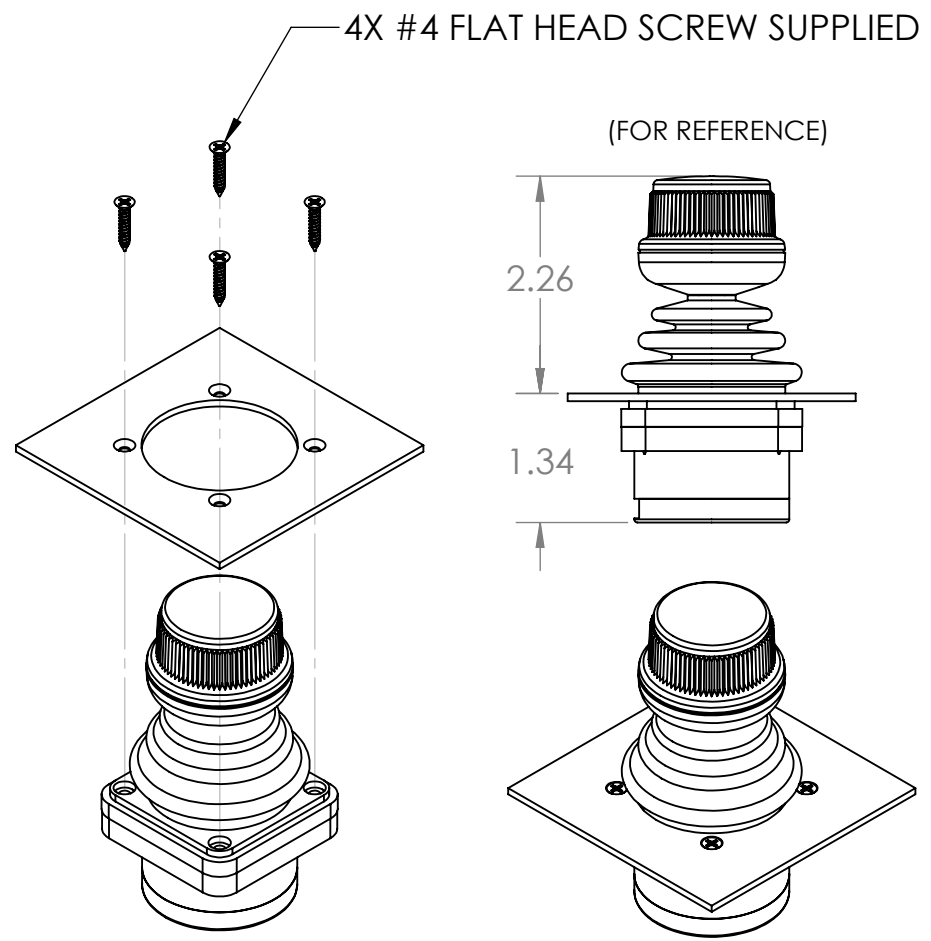
REAR MOUNT PANEL DIMENSIONS



METAL OR PLASTIC THREADED HOUSING PANEL DIMENSIONS

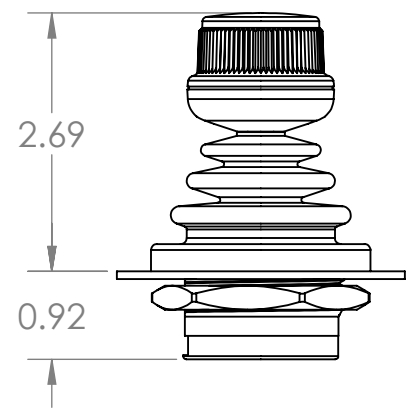


4X #4 FLAT HEAD SCREW SUPPLIED

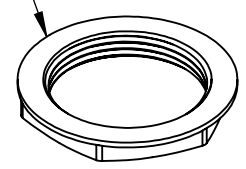


REAR MOUNT

(FOR REFERENCE)

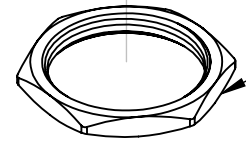


PLASTIC NUT SUPPLIED



PLASTIC THREADED HOUSING

ALUMINUM NUT SUPPLIED



METAL THREADED HOUSING

