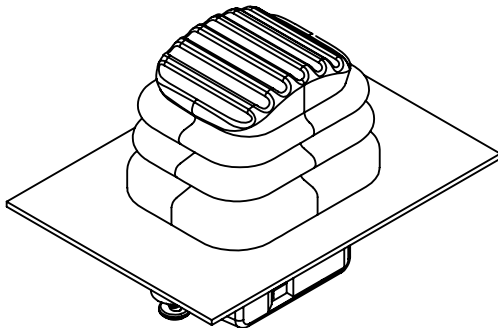
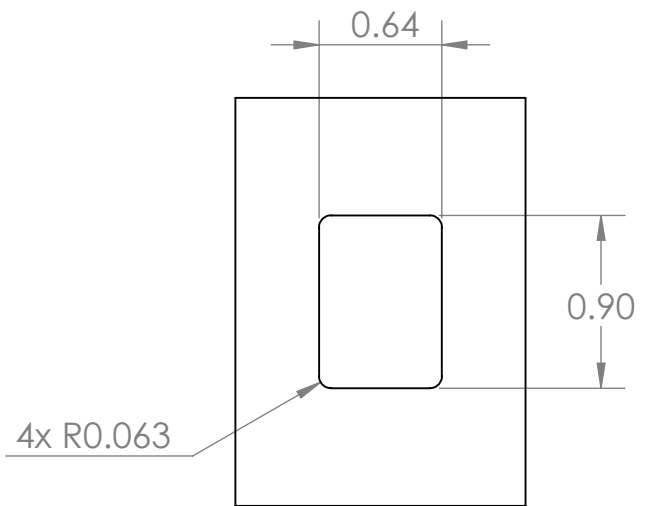
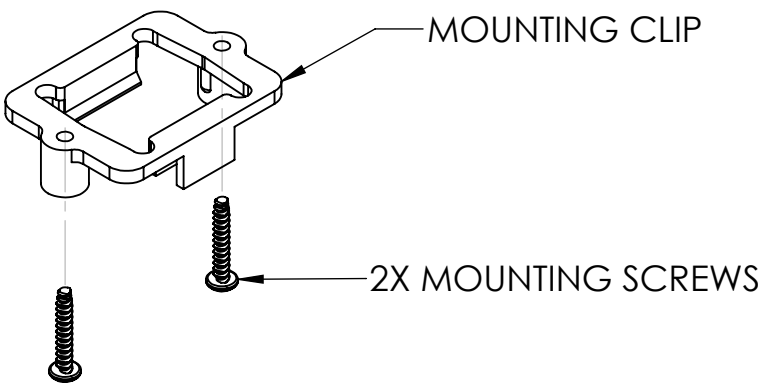
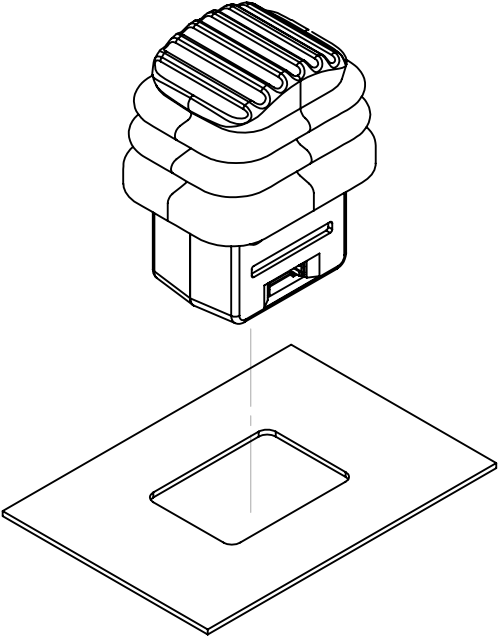


SAT - MOUNTING



MOUNTING DIRECTIONS:

1. DROP UNIT INTO PANEL CUTOUT.
2. INSTALL SUPPLIED MOUNTING UNDER PANEL UNTIL THE TWO HOOK FEATURES SNAP INTO PLACE.
3. INSTALL 2 MOUNTING SCREWS UNTIL THEY APPLY ADEQUATE PRESSURE ONTO PANEL.



MOUNTING PANEL CUTOUT